

# XLED PRO ONE Max S

with motion detector - white  
 EAN 4007841 086831  
 Article number 086831



<b>LED</b>	<b>3000 K</b>								
Langlebige LED 50.000 h	3000K warmweiß	Infrarot-Sensor 240°	Max. Ø 10 m	IP44	Panel 180° vertikal	2 - 1000 Lux	Lichtquelle nicht austauschbar	Betriebsgerät nicht austauschbar	8 Sek - 35 Min

## Function description

Floodlight redefined. The XLED PRO ONE S floodlight, which can be swivelled vertically through 180° and comes in an elegant aluminium housing, guarantees daylight illumination of large areas with warm white 3000 K and at. Features include a 240° infrared sensor (10 m range), plug-in cover caps to limit the detection area, a basic light function (10%) and an optional surface-mounted adapter. Networking via cable. Adjustment via potentiometers and remote control. RC 12 remote control included for sensor version. Maximum mounting height: 6 m. Available in white or anthracite. 5-year guarantee.

## Technical specifications

Dimensions (L x W x H)	202 x 259 x 250 mm
With lamp	Yes, STEINEL LED system
With motion detector	Yes
Manufacturer's Warranty	5 years
Settings via	Remote control, Potentiometers, Smart Remote
Version	with motion detector - white
PU1, EAN	4007841086831
Application, place	Outdoors
Application, room	outdoors, garden, front door, courtyard & driveway, all round the building
Colour	white
Includes corner wall mount	No
Installation site	ceiling, wall
Installation	Surface wiring, Wall
Impact resistance	IK03

Reach, radial	r = 3 m (19 m <sup>2</sup> )
Reach, tangential	r = 10 m (209 m <sup>2</sup> )
Photo-cell controller	Yes
Cover material	shrouds
Luminous flux total product	6116 lm
Measured luminous flux (360°)	6116 lm
Total product efficiency	122 lm/W
Colour temperature	3000 K
Colour variation LED	SDCM3
Lamp	LED cannot be replaced
Service life LED L70B50 (25°)	> 36000 h
LED cooling system	Passive Thermo Control
Soft light start	Yes
Functions	DIM function, Light sensor, Motions sensor, Orientation light
Twilight setting	2 – 2000 lx
Time setting	8 s – 35 Min.

# XLED PRO ONE Max S

with motion detector - white  
 EAN 4007841 086831  
 Article number 086831



## Technical specifications

IP-rating	IP44
Protection class	I
Ambient temperature	-20 – 40 °C
Housing material	Aluminium
Cover material	Glass transparent
Mains power supply	220 – 240 V / 50 – 60 Hz
LED lamps < 2 W	16 W
LED lamps > 2 W < 8 W	64 W
LED lamps > 8 W	64 W
Capacitive load in µF	88 µF
Mounting height max.	6,00 m
Slave modeselectable	No
Sneak-by guard	Yes
Capability of masking out individual segments	No
Electronic scalability	No
Mechanical scalability	No

Basic light level function	Yes
Basic light level function time	10/30 min, all night
Main light adjustable	No
Twilight setting TEACH	Yes
Interconnection	Yes
Interconnection via	Cable
Basic light level function in per cent	10 %
Basic light level function percentage, from	10 %
Basic light level function percentage, up to	10 %
Output	50,1 W
Optimum mounting height	2 m
Detection angle	240 °
IP-rating, ceiling	IP44

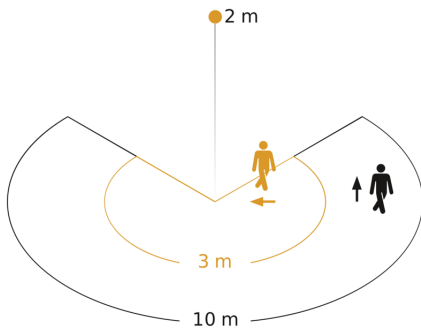
## Accessories

EAN 4007841 080983	Surface mount adapter XLED PRO ONE Plus + Max
EAN 4007841 079000	RC 12

# XLED PRO ONE Max S

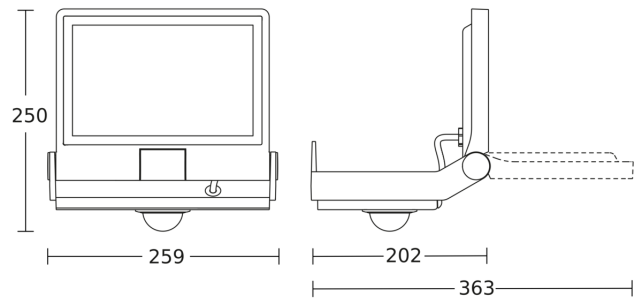
with motion detector - white  
EAN 4007841 086831  
Article number 086831

## Detection Zone

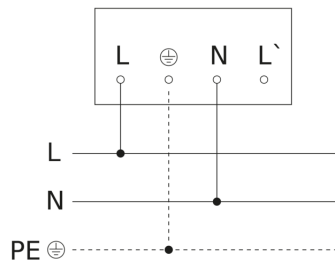


Possible mounting height: 1,80 m - 6,00 m  
Orange: radial  
Black: tangential

## Dimension Drawing



## Master circuit diagram



## Master/slave interconnection circuit diagram

